

Loo Seal TANK



User Manual

Benutzerhandbuch

Manuel d'utilisation

Manual del usuario

Manuale d'uso

Gebruikershandleiding

Podręcznik użytkownika

Uživatelská příručka

Overview

User Manual (EN)	3
Benutzerhandbuch (DE)	17

Manuel d'utilisation (FR)
Manual del usuario (ES)
Manuale d'uso (IT)
Gebruikershandleiding (NL)
Podręcznik użytkownika (PL)
Uživatelská příručka (CZ)



Congratulations on your LooSeal TANK sealing toilet!

Glückwunsch zu Ihrer LooSeal TANK Verschweißer-Toilette!

Félicitations pour vos toilettes LooSeal TANK à processus de soudage!

Enhorabuena por su inodoro con proceso de sellado LooSeal TANK!

Congratulazioni per la vostra toilette con processo di sigillatura LooSeal TANK!

Gefeliciteerd met uw LooSeal TANK afdichtingstoilet!

Gratulujemy uszczelnienia toalety LooSeal TANK!

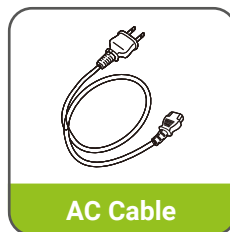
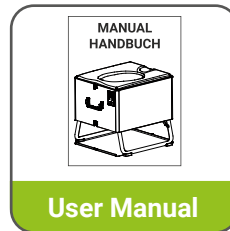
Blahopřejeme vám k vaší toaletě LooSeal TANK s procesem těsnění!

Content (EN)

1. Introduction	4
1.1 Packaging List.....	4
1.2 To this manual	4
2. Safety Instructions	5
2.1 Intended use.....	5
2.2 User qualification	5
2.3 Operation safety.....	5
2.4 Cleaning and maintenance.....	6
2.5 Modification and repairs	6
2.6 Residual risks.....	6
3. Design and function.....	7
3.1 Overview.....	7
3.2 Control panel & Display	8
4. Preparation	9
4.1 Check the condition of the toilet	9
4.2 Insert or replace liner	9
5. Steps for using the toilet	12
5.1 Use Super-Absorber	12
5.2 Note filling level.....	12
5.3 Start sealing process	12
6. Cleaning.....	13
7. Maintenance.....	13
8. Error Codes.....	13
9. Troubleshooting.....	14
10. Consumables and Accessories	14
11. Frequently Asked Questions (FAQ)	15
12. Disposal and Environment.....	15
12. Technical Specifications.....	16

1. Introduction

1.1 Packaging List



Consumables:



1.2 To this manual

These operating instructions will familiarise you with the features and functions of the waterless sealing toilet LooSeal TANK. The instructions contain important information for the correct and safe use of the toilet.

- » Read these operating instructions carefully before using the toilet for the first time.
- » Keep these instructions in a safe place so that the information is available to you at all times.

These instructions are constantly being improved, so it is possible that the document enclosed with the LooSeal TANK may not correspond to the current version. We recommend that you check our website at <https://tomtur.com> to see if there is a newer version of this manual is available.

2. Safety Instructions

2.1 Intended use

The LooSeal TANK waterless sealing toilet is designed for the bagging of excrement and personal hygiene articles. The bagging of nappies or biowaste is also possible. Other uses are not permitted.

Possible misuse

Unintended use of the appliance may result in damage to property and personal injury. The appliance is not suitable for the following uses, for example:

- » Bagging of pointed or sharp-edged objects (e.g. shards, needles, razor blades)
- » Bagging of burning or glowing objects (e.g. ashes, cigarettes, matches)
- » Bagging of liquids and chemicals that could react with the bags
- » Bagging of food or living creatures
- » Use as a climbing aid

2.2 User qualification

Persons who are not familiar with the device, children and people with physical, sensory or mental impairments may only use the LooSeal TANK under supervision or under the instruction of a responsible person.

Repair work is reserved for authorised specialist personnel. Contact your dealer if necessary.

2.3 Operation safety

General:

- » Check regularly that all functions are being carried out correctly.
- » After each use and before leaving the LooSeal TANK unattended, make sure that the sealing process is completed and the toilet is ready for use.

- » Only use the original accessories attached to the product or provided by the supplier.
- » Never use the toilet without the foil liner inserted.

Optional battery:

- » Charge the battery fully prior to initial use.
- » Only use the original charger approved by us to charge the battery.
- » DO NOT dismantle or modify the battery pack.
- » Switch off the power when toilet is lying idle and not in use.
- » It is recommended to charge the battery at least every 3 months.
- » Please stop using and switch off the toilet when battery is overheating, and call the dealer.

Correct use:

- » Toilet must be placed stably on a flat floor.
- » The Max load capacity is 200 kgs.
- » Keep the surroundings of the toilet free of objects, children and pets during toilet running.

- » Any parts of human body DO NOT enter the toilet, because moving parts may cause injuries.
- » DO NOT stand or sit on the toilet during toilet running.
- » DO NOT throw sharp-edged objects into the toilet.
- » DO NOT throw burning or glowing objects into the toilet.
- » DO NOT use the toilet in extreme conditions (e.g. extremely hot, cold, humid).
- » DO NOT use the toilet without filling or sealing one end of film.

2.4 Cleaning and maintenance

- » Switch off and disconnect the charger or battery before cleaning and maintenance.
- » DO NOT clean the toilet with running water or immersing in water.
- » Use a soft moist cloth with neutral detergent to clean the toilet. DO NOT use bleach.
- » Cleaning parts: lid, seat, leg and surface of body. DO NOT clean any parts insides.
- » Maintenance shall only be carried out by qualified personnel authorized by the dealer or the manufacturer.

LooSeal foil liners ensure reliable functioning of your LooSeal TANK. The use of other foil liners can lead to malfunctions.

- » Use only original film liner and super absorber.

2.5 Modification and repairs

Repairs that are not carried out properly can result in accidents and damage to property.

- » DO NOT open the base body of the toilet.
- » If you suspect a defect, contact your dealer.
- » DO NOT install any additional components or modify the toilet.

2.6 Residual risks

Live parts

Live parts can be exposed by opening the base body. There is a danger of life-threatening electric shock.

- » DO NOT open the main body.

Water ingress

Water can penetrate the inside of the toilet through an unclosed lid or on through some toilet parts and damage the electronic control or the sealing mechanism. Malfunctions and component damage may result.

- » DO NOT expose the LooSeal TANK to jet water (e.g. when showering).
- » Only use the toilet while sitting down.
- » Never operate the LooSeal TANK in a wet room while humidity is very high.
- » If the sealing unit has come into contact with water: let the toilet dry for 24 hours without the foil liner inserted.

Substances hazardous to health

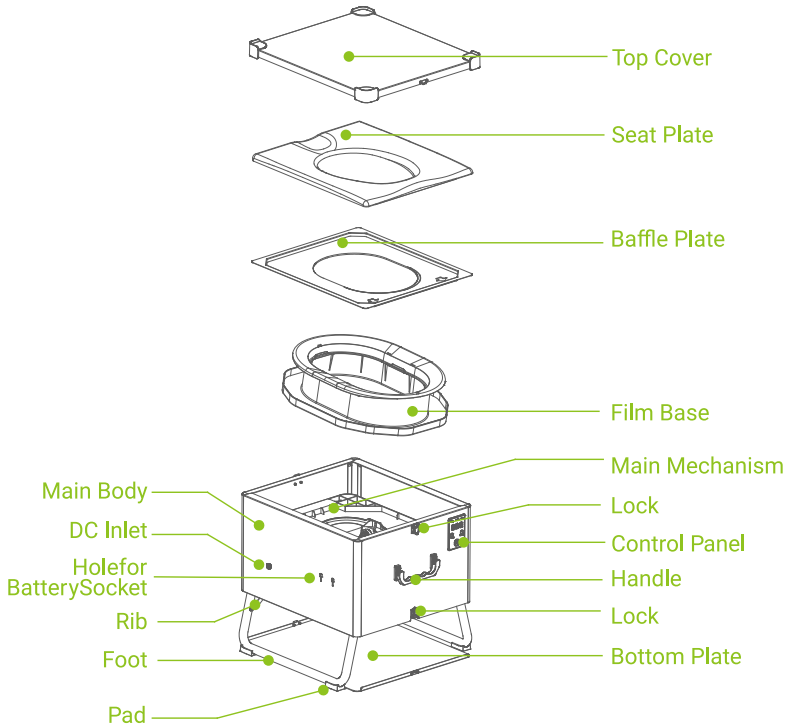
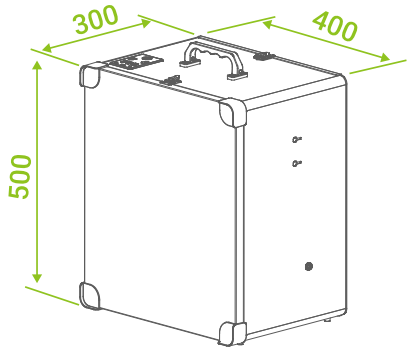
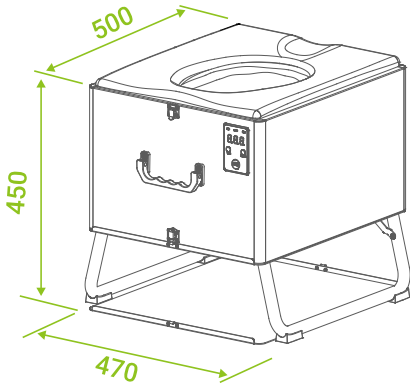
Ingestion of the absorber may cause nausea and stomach problems. In case of eye contact, there is a risk of severe eye irritation.

- » Keep the absorber out of reach of children and pets.
- » Observe the safety data sheet of the absorber, available on the website: <https://tomtur.com>
- » In case of eye contact, rinse the eye with running water for several minutes.

- » If the absorber is swallowed, rinse the mouth with water and drink plenty of water.
- » Consult a doctor if symptoms persist.

3. Design and function

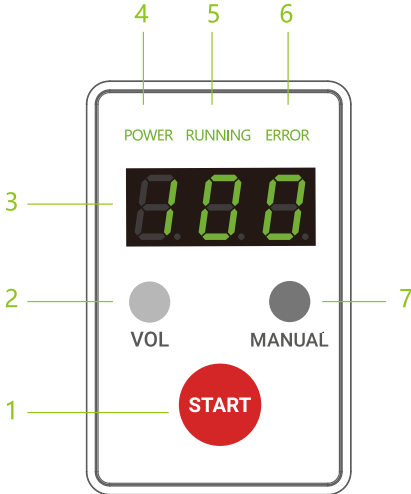
3.1 Overview



Key features:

- 1) Simple: one-key operation, even a child can operate it.
- 2) Hermetic: both ends of polymer bag are welded by heating to prevent from leaking.
- 3) Hygienic: the polymer bag wraps and seals the germs, bacteria, viruses and odors.
- 4) Independent: no need any connection to water supply and power supply.
- 5) Mobile: compact size and lightweight make it possible to be carried anywhere.
- 6) Sustainable: eco-friendly film is biodegradable, low energy consumption.

3.2 Control panel & Display



1. „START“ Sealing Button:

Press and hold the „START“ button for more than 2 seconds. At this time, the „POWER“ and „RUNNING“ lights in the indicator window will both light up, and the display window will count down from 100 to 0. When the countdown reaches 0, the packaging is complete, and the device will enter standby mode.

2. The „VOL“ button is for adjusting the volume:

a. In standby mode only, each press of the „VOL“ button changes the volume level, cycling through four levels: 0-1-2-3-0. Select the desired volume level. Choose 0 if no sound is needed.

b. When the power is disconnected and then reconnected, the volume will default to the setting before the power was disconnected.

3. Display Window:

- a. Sealing Countdown: Displays the countdown from 100 to 0 during the sealing process.
- b. Volume Levels: Shows the current volume setting (0-1-2-3).
- c. Display Error Codes: shown when a fault occurs. E21, E31, E32, E33, E51, E52, E53.

4. The „POWER“ indicator light:

When it's on, it indicates that the device is in standby mode. If there is no operation for about 5 minutes, the device will enter sleep mode, and the „POWER“ light will turn off. In sleep mode, the device will automatically wake up once every 10 seconds, or you can wake it up by pressing any button.

5. The „RUNNING“ indicator light:

When it's on, it indicates that the device is currently sealing and running.

6. The „ERROR“ indicator:

This light flashes when there is an error.

7. The „MANUAL“ button is for manually operating the bag delivery:

In standby mode, press and hold the „MANUAL“ button to move the storage bag downward. Release the button to stop bag delivery. Each long press delivers a maximum bag length of approximately 300mm. If you need to continue bag delivery, release the button and press the „MANUAL“ button again.

4. Preparation

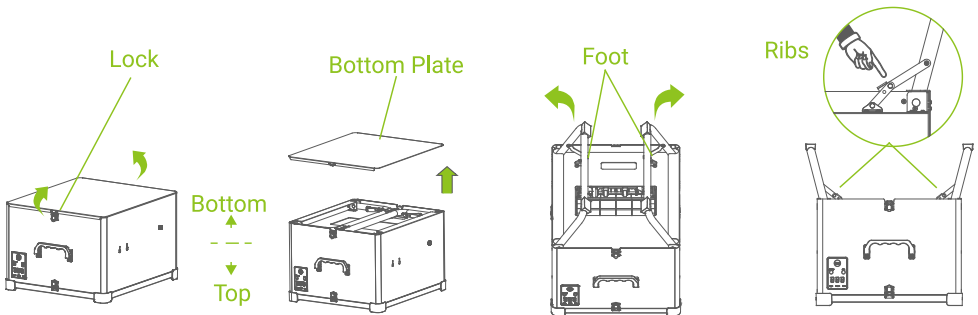
4.1 Check the condition of the toilet

Before each use of the toilet, check if the toilet is in working condition.

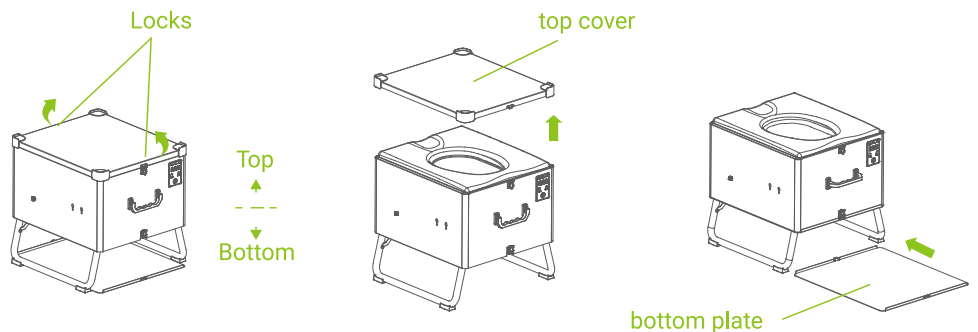
1. The toilet is stable on both legs.
2. All parts are positioned in the right way as shown under point 3.
3. The Toilet is connected to a power supply or battery
4. (Optional in case of battery usage) The battery indicator is above 25%. When the number is at 25% or lower, please charge it at soonest.
5. A liner is inserted correctly, tightly welded and not already at the end of its capacity. The end of capacity is recognized by the visible text imprint „STOP“ on the liner.
6. Make sure that there are always enough refill foil liners and LooSeal Super-Absorber near the LooSeal TANK toilet.

4.2 Insert or replace liner

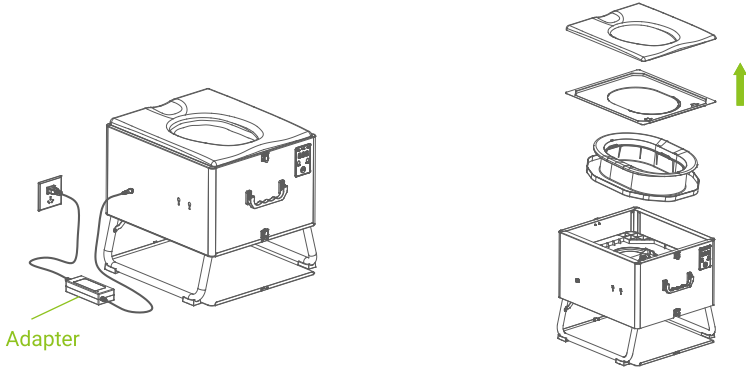
1. Open the locks on bottom plate, remove the bottom plate, pull out two foot, push the joints of ribs to ensure foot in stability.



2. Overturn the product, open and move the top cover, and put the bottom plate under the product.



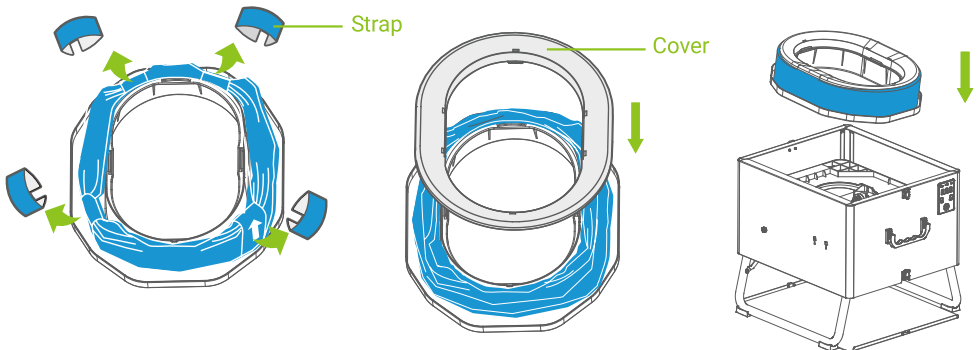
3. Insert the DC end of the power adapter into the DC port on the side of the product, and plug the power cord into an outlet. ALTERNATIVE: Insert the DC end of the battery into the DC port on the side of the product. Take out the Seat Plate, Seat Plate, and Film Base



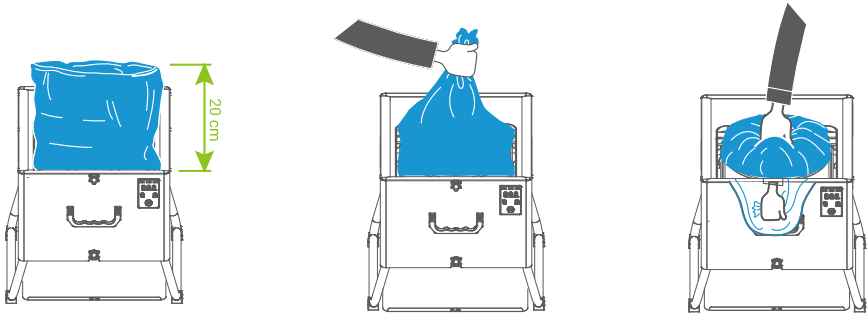
4. Open the cover of the Film Base and insert the Film into the storage bag box.



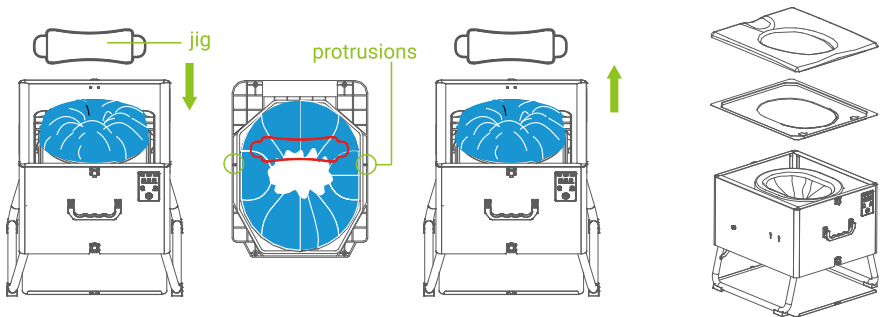
5. Insert the film into the film base, and remove the four straps. Close the cover of the film base and ensure it fits perfectly. Place the film base with the installed film onto the toilet mechanism.



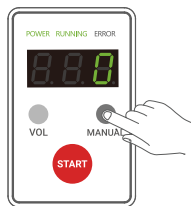
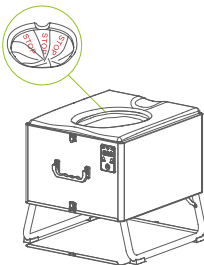
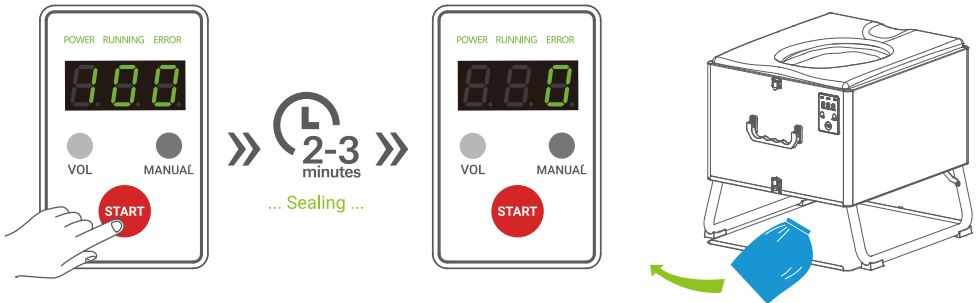
6. Pinch the outer edge of film and pull up about 20cm, then push it into the main mechanism.



7. Use the jig to press the film into the wheels of the mechanism, then remove the jig. Note: Align the protrusions on both sides of the jig with those on the mechanism.



8. Press and hold the „Start“ button on the control panel for more than 2 seconds. The product will enter the operating mode until the display shows 0, indicating the sealing is completed. Remove the discarded bag. (When installing a new film, if this operation is not performed initially, the bottom of the film will not be sealed.)

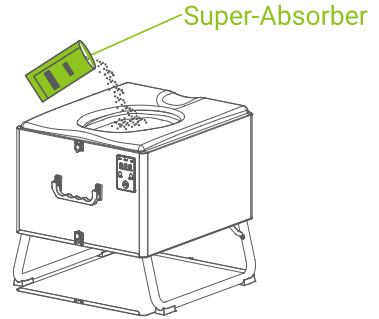


9. When there is a „stop“ indication on the film, please stop using it and replace the film. Hold down the „Manual“ button on the control panel until the film is completely ejected, then clear the discarded film from the floor. Please follow steps 4 to 8 for film replacement.

5. Steps for using the toilet

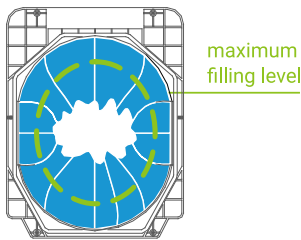
5.1 Use Super-Absorber

Add a bag of super absorber into the toilet before using the toilet. For binding liquids (e.g. urine) we recommend the use of LooSeal Super-Absorbers. The powder binds the liquids in the foil bag and thus serves as additional leakage protection, as well as odour prevention.



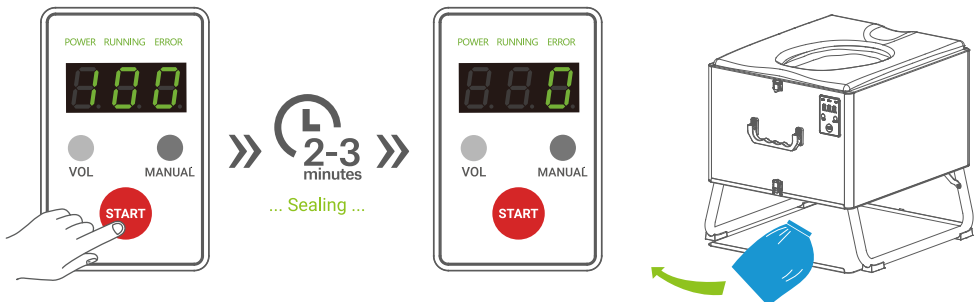
5.2 Note filling level

Toilet paper must not be above the specified maximum filling height, otherwise the weld seam will be interrupted. The maximum filling height is about half of the film pouch. If more space is needed in the bag or the bag needs to be enlarged, this can be done simply by pressing and holding the „Manual“ button.



5.3 Start sealing process

Press and hold the “Start” button for 2 seconds, and you will hear a beep sound, then the toilet starts sealing. The numbers in display window are counted down from 100 to 00. You will hear a beep sound when it reaches 00, and the sealing is completed. The sealed bag or separated film will fall to floor. Take out the bag/film and dispose it like baby diaper according to local regulations and rules.



6. Cleaning

As the LooSeal TANK works without water and the „foil bowl“ renews itself with every use, maintenance is very low. However, we recommend cleaning the seat, lid, leg and the surface of the toilet body regularly with a damp cloth and commercially available cleaning agents:

WARNING! Damage to the toilet may result from improper cleaning!

- 1) Switch off and disconnect the charger before cleaning and maintenance.
- 2) DO NOT clean the toilet with running water or immersing in water (e.g. with a hose).
- 3) DO NOT use bleach. Use a soft moist cloth with neutral detergent to clean the toilet.
- 4) DO NOT clean any parts insides.

7. Maintenance

Maintenance shall only be carried out by qualified personnel authorized by the distributor or the manufacturer.

WARNING! DO NOT open the base body.

Opening the base body can cause irreversible damage to the LooSeal TANK. This will invalidate the warranty.

8. Error Codes

Error	Fault	Solutions
E21	There is a foreign object at the sealing position.	After removing the foreign object, try pressing the „Start“ button to initiate the next sealing action to resolve the fault. If the issue persists, try power cycling the device by turning it off and then on again. If the fault persists, please contact your dealer.
E31		
E32	The position of the sensor is not working properly.	Disconnect the power supply, then reconnect it. The machine will perform a self-check and return to its initial position, resolving the fault alarm. It should then function normally. If the fault persists, please contact your dealer.
E33		
E51	The heating element is malfunctioning.	Disconnect the power supply of the device, then reconnect it. If the fault persists even after the device self-check, If the fault persists, please contact your dealer.
E52	The temperature sensor is faulty	
E53		

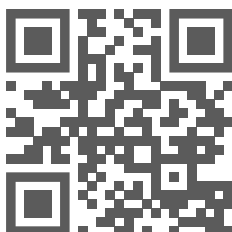
9. Troubleshooting

Fault	Possible Cause	Solutions
Power Off (Light Off)	The power adapter or battery is not connected.	Please connect the power adapter or battery correctly.
	The power adapter or battery is being used incorrectly.	Please use the adapter or battery provided with the product.
Toilet unstable	The ground is uneven.	Please move to a level surface to use it.
	The foots of the toilets are not fully open.	Please fully extend the legs of the toilet according to the manual.
The film is torn	There is a sharp object at the sealing area.	Remove the foreign object from the sealing area, press „Manual“, and then eject the damaged bag for sealing once.
	The film itself has a hole.	Please replace the film with a new one.
The film has not detached	There is a foreign object at the sealing area.	Please press the „Start“ button again for 2 seconds to seal it once more.
There is smoke or strange noises coming from inside the toilet.		Please stop using it immediately and unplug the power cord or battery. Please contact your dealer.
Accessory is missing or Consumables are used up		Please contact your dealer to reorder.

10. Consumables and Accessories

Only use original products on the toilet. Original consumables and accessories can also be purchased quickly and easily from the ToMTuR online shop:

<https://tomtur.com>



11. Frequently Asked Questions (FAQ)

You can find all FAQ & information on <https://tomtur.com>

Can the bags be put on the compost (organic waste)?

Although the liner film is compostable, the bags should nevertheless be disposed of in the residual waste. Please pay attention to the regional laws that also apply to e.g. diapers.

Are the bags odour-proof?

At room temperature, the bags are odor-proof for between a few hours and up to 5 days, depending on the external conditions and contents. At higher temperatures, it is recommended to dispose of the bags within 2 days. We recommend disposal as soon as possible. The odor tightness has no influence on the liquid tightness of several weeks.

May I use the toilet again immediately after the sealing process has been started?

No, the previous „sealing process“ must be completed. Otherwise, malfunctions or defects may occur.

Can I also seal other things in the bags?

Yes, in principle organic waste, nappies or feminine hygiene products can be sealed in. However, no sharp-edged objects (broken glass, etc.) or hot ashes may be placed in the bags. Observe the maximum filling height!

Does the toilet work with a voltage of 12 volts?

The toilet has a 12V DC input, but runs by a 12V, 5A power supply (60W). In principle, it is possible to permanently connect the toilet to an existing 12V supply. Please note the maximum power supply of 60W!

How stable is the toilet?

The load capacity of the toilet with the lid opened is 200 kg.

12. Disposal and Environment

The LooSeal TANK complies with the requirements of the EU Directive „Restriction of Hazardous Substances“ (2011/65/EU). It is largely free of environmentally hazardous substances such as lead, cadmium, mercury or chromium VI.



In accordance with the EU Directive, the appliance is classified as waste electrical and electronic equipment electronic waste and must not be disposed of as household waste.

- Dispose of the product in accordance with local regulations.
- Dispose of used batteries at the designated collection points.

12. Technical Specifications

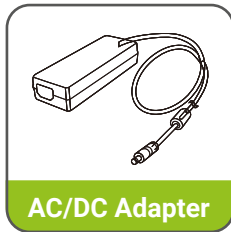
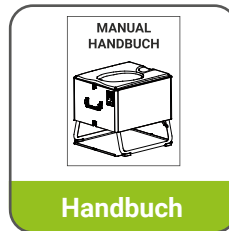
Attribute	Value
Model	VT-LS-002-G
Color	Grey
Dimensions (Expanded)	50x47x45 cm (DxWxH)
Dimensions (Folded)	50x40x30 cm (DxWxH)
Recom. room width	47 cm
Seat height	44 cm
Net Weight	12 kg
Max. Load Capacity	200 kg
Material	Aluminium Alloy, Stainless steel, ABS, PP, POM
Battery	Lithium-ion 55,5 Wh (external)
Battery Charging Time	approx. 3,5 h per USB with 5V / 3A input
Battery Range	approx. 100 uses (1-2 weeks with 2 people in permanent use)
Power Adapter	Input 100-240V AC (50/60Hz), Output 12V DC / 5A
Power	60 W (max)
Power consumption (per toilet use)	0,4 Wh
Power consumption (Standby)	0,3 Wh
Operation condition	0°C - 40°C, 20% - 80% RH
Storage conditions	-20°C - 60°C, 20% - 80% RH
Waterproof	No
Handles	Yes
Toilet Lid	detachable
Cycle for Sealing Process	approx. 140 Sec.
Recom. Substrate	LooSeal Super-Absorber
Mounting	Free-Standing
Disposal of Bags	Residual waste

Inhalt (DE)

1. Einführung	18
1.1 Inhaltsliste.....	18
1.2 Zu diesem Benutzerhandbuch.....	18
2. Sicherheitshinweise	19
2.1 Bestimmungsgemäße Verwendung	19
2.2 Qualifikation der Benutzer	19
2.3 Betriebssicherheit	19
2.4 Reinigung und Wartung	20
2.5 Veränderungen und Reparaturen.....	20
2.6 Sonstige Risiken.....	20
3. Design und Funktion	21
3.1 Übersicht	21
3.2 Bedienfeld & Display	22
4. Vorbereitung	23
4.1 Überprüfung des Toilettenzustands	23
4.2 LadTANKrgang des Akkus.....	23
4.3 Liner einsetzen oder austauschen	23
5. Bedienschritte nach dem Toilettengang	25
5.1 Super-Absorber benutzen	25
5.2 Füllstand beachten	26
5.3 Verschweißprozess starten.....	26
6. Reinigung.....	27
7. Wartung	27
8. Fehler Codes.....	27
9. Fehlersuche	28
10. Verbrauchsmaterial und Zubehör	28
11. Häufig gestellte Fragen (FAQ).....	29
Entsorgung und Umwelt	29
12. Technische Daten	30

1. Einführung

1.1 Inhaltsliste



Consumables:



1.2 Zu diesem Benutzerhandbuch

Diese Gebrauchsanweisung macht Sie mit den Eigenschaften und Funktionen der wasserlosen Verschweißer-Toilette LooSeal TANK vertraut. Die Anleitung enthält wichtige Informationen für den richtigen und sicheren Gebrauch der Toilette.

- » Lesen Sie diese Gebrauchsanweisung vor der ersten Benutzung der Toilette sorgfältig durch.
- » Bewahren Sie diese Anleitung gut auf, damit Sie die Informationen jederzeit zur Verfügung haben.

Diese Anleitung wird ständig weiterentwickelt, so dass es möglich ist, dass das der LooSeal TANK beiliegende Dokument nicht der aktuellen Version entspricht. Wir empfehlen Ihnen, auf unserer Website <https://tomtur.de> nachzusehen, ob eine neuere Version dieser Anleitung verfügbar ist.

2. Sicherheitshinweise

2.1 Bestimmungsgemäße Verwendung

Die wasserlos Verschweißer-Toilette LooSeal TANK ist für die Verpackung von Fäkalien und Hygieneartikeln konzipiert. Auch das Verpacken von Windeln oder Bioabfällen ist möglich. Andere Verwendungen sind nicht zulässig.

Mögliche Fehlanwendungen

Eine nicht bestimmungsgemäße Verwendung des Geräts kann zu Sach- und Personenschäden führen. Das Gerät ist z. B. nicht für die folgenden Verwendungszwecke geeignet:

- » Verbeuteln von spitzen oder scharfkantigen Gegenständen (z. B. Scherben, Nadeln, Rasierklingen)
- » Verbeuteln von brennenden oder glühenden Gegenständen (z. B. Asche, Zigaretten, Streichhölzer)
- » Verbeuteln von Flüssigkeiten und Chemikalien, die mit den Säcken reagieren könnten
- » Verbeuteln von Lebensmitteln oder Lebewesen
- » Verwendung als Steighilfe

2.2 Qualifikation der Benutzer

Personen, die nicht mit dem Gerät vertraut sind, Kinder und Personen mit körperlichen, sensorischen oder geistigen Einschränkungen dürfen den LooSeal TANK nur unter Aufsicht oder nach Anweisung einer verantwortlichen Person benutzen. Reparaturarbeiten sind dem autorisierten Fachpersonal vorbehalten. Wenden Sie sich ggf. an Ihren Fachhändler.

2.3 Betriebssicherheit

Allgemein:

- » Überprüfen Sie regelmäßig, ob alle Funktionen korrekt ausgeführt werden.
- » Vergewissern Sie sich nach jeder Benutzung und bevor Sie die LooSeal TANK unbeaufsichtigt lassen, dass der Verschweißungsprozess abgeschlossen und die Toilette wieder einsatzbereit ist.
- » Verwenden Sie ausschließlich das mitgelieferte oder vom Anbieter zur Verfügung gestellte Originalzubehör
- » Benutzen Sie die Toilette nie ohne eingelegten Folienliner.

Optional extern angehängter Akku:

- » Laden Sie den Akku vor dem ersten Gebrauch vollständig auf
- » Verwenden Sie zum Laden des Akkus nur das von uns zugelassene Original-Ladegerät.
- » Das Akkupaket darf NICHT zerlegt oder verändert werden.
- » Schalten Sie das Gerät aus, wenn die Toilette nicht benutzt wird.
- » Es wird empfohlen, den Akku mindestens alle 3 Monate zu laden..
- » Schalten Sie die Toilette aus, wenn die Batterie überhitzt ist, und wenden Sie sich an Ihren Fachhändler.

Korrekte Anwendung:

- » Die Toilette muss stabil auf einem ebenen Boden stehen.
- » Die maximale Tragfähigkeit beträgt 200 kg.
- » Halten Sie die Umgebung der Toilette während des Toilettengangs frei von Gegenständen, Kindern und Haustieren.

- » Es dürfen KEINE Körperteile in das Innere der Toilette eingeführt werden, da bewegliche Teile Verletzungen verursachen können.
- » NICHT auf der Toilette sitzen oder stehen, wenn diese arbeitet.
- » Werfen Sie KEINE scharfkantigen Gegenstände in die Toilette.
- » Werfen Sie KEINE brennenden oder glühenden Gegenstände in die Toilette..
- » Benutzen Sie die Toilette NICHT unter extremen Bedingungen (z.B. extrem heiß, kalt, feucht).
- » Benutzen Sie die Toilette NICHT ohne korrekt eingelegtem und dicht verschweißtem Folienliner.

2.4 Reinigung und Wartung

- » Vor d. Reinigung muss die Toilette ausgeschaltet und das Ladegerät bzw. der Akku abgesteckt werden.
- » Reinigen Sie die Toilette NICHT mit fließendem Wasser oder durch Eintauchen in Wasser.
- » Verwenden Sie ein weiches, feuchtes Tuch mit einem neutralen Reinigungsmittel, um die Toilette zu reinigen. Verwenden Sie KEIN Bleichmittel.
- » Gereinigt werden können: Der Toilettendeckel, der Toilettensitz, die Beine und die Oberfläche des Toilettengehäuses. Reinigen Sie die Toilette nicht im Inneren.
- » Die Wartung darf nur von qualifiziertem, vom Händler oder Hersteller autorisiertem Personal durchgeführt werden.

LooSeal Folienliner gewährleisten die zuverlässige Funktion Ihres LooSeal TANK. Die Verwendung von anderen Folien kann zu Funktionsstörungen führen oder die Toilette beschädigen.

- » Verwenden Sie ausschließlich die Original-Folienliner und Super-Absorber.

2.5 Veränderungen und Reparaturen

Unsachgemäß durchgeführte Reparaturen können zu Personen- oder Sachschäden führen.

- » Es dürfen KEINE Komponenten installiert oder Änderungen am Gerät vorgenommen werden.
- » Bei Verdacht auf einen Defekt, setzen Sie sich mit Ihrem Händler in Verbindung
- » Öffnen Sie das Toilettengehäuse nicht.

2.6 Sonstige Risiken

Spannungsführende Teile

Durch Öffnen des Toilettengehäuses können spannungsführende Teile freigelegt werden. Es besteht die Gefahr eines lebensgefährlichen Stromschlags. » Öffnen Sie das Toilettengehäuse nicht.

Wassereintritt

Wasser kann durch einen nicht verschlossenen Deckel oder durch einige Bauteile in das Innere der Toilette eindringen und die elektronische Steuerung oder den Verschweißmechanismus beschädigen. Fehlfunktionen und Produktschäden können die Folge sein.

- » Setzen Sie die LooSeal TANK keine Strahlwasser aus (z. B. durch duschen)
- » Benutzen Sie die Toilette ausschließlich im Sitzen.
- » Betreiben Sie den LooSeal TANK NICHT in einem Nassraum, wenn die Luftfeuchtigkeit sehr hoch ist.
- » Wenn die Verschweißeinheit mit Wasser in Berührung gekommen ist, lassen Sie die Toilette 24 Stunden lang ohne den eingelegten Folienliner trocknen.

Gesundheitsgefährdende Stoffe

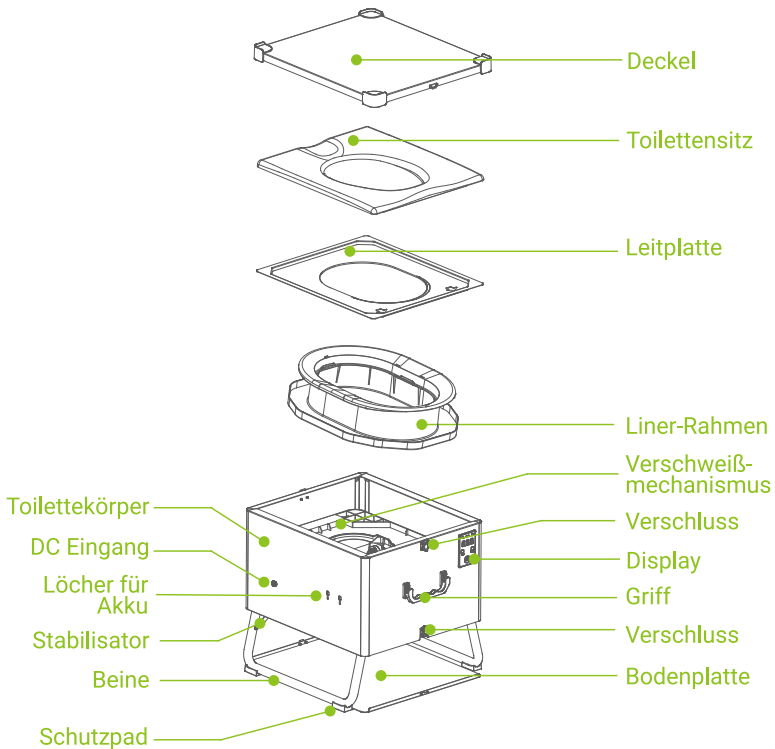
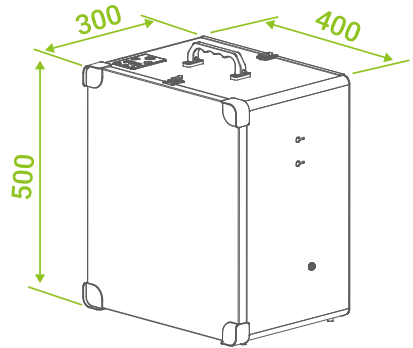
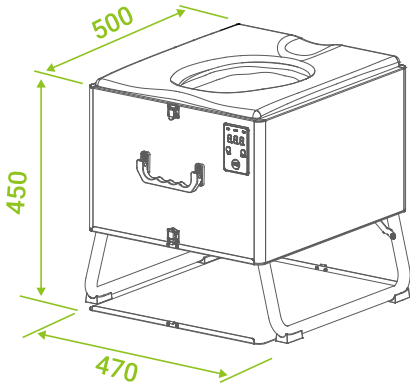
Das Verschlucken des Absorbers kann zu Übelkeit und Magenproblemen führen. Bei Augenkontakt besteht die Gefahr einer schweren Augenreizung.

- » Bewahren Sie den Absorber außerhalb der Reichweite von Kindern und Haustieren auf.
- » Beachten Sie das Sicherheitsdatenblatt des Absorbers, auf unserer Website <https://tomtur.de>
- » Bei Augenkontakt das Auge mehrere Minuten lang mit fließendem Wasser spülen.

- » Wenn der Absorber verschluckt wird, spülen Sie den Mund mit Wasser aus und trinken Sie viel Wasser.
- » Bei anhaltenden Symptomen unbedingt einen Arzt aufsuchen.

3. Design und Funktion

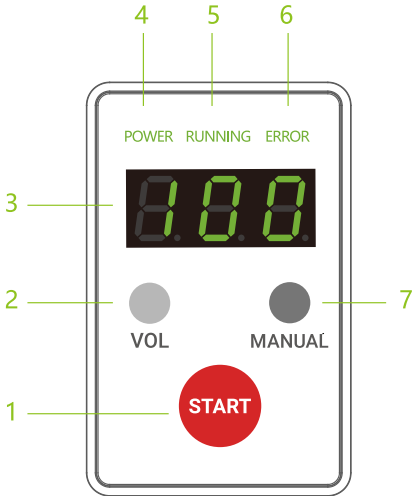
3.1 Übersicht



Hauptmerkmale der Toilette:

- 1) Einfachste Bedienung: Die Toilette kann Kinderleicht mit nur 1 Taste benutzt werden.
- 2) Hermetisch verschweißt: beide Enden des Beutels sind luftdicht und auslaufsicher verschweißt.
- 3) Hygienisch: der Beutel umhüllt und versiegelt alle Keime, Bakterien, Viren und Gerüche.
- 4) Unabhängig: kein Anschluss an die Wasser- und Stromversorgung erforderlich.
- 5) Mobil: Die kompakte Größe und das geringe Gewicht machen es möglich, sie überallhin mitzunehmen.
- 6) Nachhaltig: Die umweltfreundliche Folie ist biologisch abbaubar und verbraucht wenig Energie.

3.2 Bedienfeld & Display



1. „START“ Versiegelungsprozess:

Halten Sie die „START“-Taste länger als 2 Sekunden gedrückt. Zu diesem Zeitpunkt leuchten die Leuchten „POWER“ und „RUNNING“ im Anzeigefenster auf, und das Anzeigefenster zählt von 100 auf 0 herunter. Wenn der Countdown 0 erreicht, ist der Verschweißprozess abgeschlossen, und das Gerät geht in den Standby-Modus.

2. Die Taste „VOL“ zum Einstellen der Lautstärke:

a. Nur im Standby-Modus ändert jeder Druck auf die Taste „VOL“ die Lautstärke, wobei vier Stufen durchlaufen werden: 0-1-2-3-0. Wählen Sie die gewünschte Lautstärkestufe. Wählen Sie 0, wenn kein Ton benötigt wird.

b. Wenn die Stromzufuhr unterbrochen ist und dann wieder eingeschaltet wird, wird die Lautstärke auf die Einstellung vor der Unterbrechung der Stromversorgung eingestellt.

3. Anzeigedisplay:

- a. Countdown für die Versiegelung: Zeigt den Countdown von 100 bis 0 während des Verschweißvorgangs an.
- b. Lautstärkestufen: Zeigt die aktuelle Lautstärkeeinstellung an (0-1-2-3).
- c. Anzeige von Fehlercodes: Wird angezeigt, wenn ein Fehler auftritt. E21, E31, E32, E33, E51, E52, E53.

4. Die Anzeige „POWER“ leuchtet:

Wenn sie leuchtet, zeigt sie an, dass sich das Gerät im Standby-Modus befindet. Wenn das Gerät etwa 5 Minuten lang nicht bedient wird, geht es in den Ruhezustand über, und die „POWER“-Leuchte erlischt. Im Ruhemodus wird das Gerät automatisch alle 10 Sekunden aufgeweckt, oder Sie können die Toilette durch Drücken einer beliebigen Taste aufwecken.

5. Die Anzeige „RUNNING“ leuchtet:

Wenn sie leuchtet, zeigt sie an, dass das Gerät derzeit verschweißt ist und ein Prozess im gange ist.

6. Die Anzeige „ERROR“ leuchtet:

Diese Leuchte blinkt, wenn ein Fehler vorliegt.

7. Die Taste „MANUAL“ dient zur manuellen Einstellung für die Beutelgröße:

Halten Sie im Standby-Modus die Taste „MANUAL“ gedrückt, um den Beutel nach unten zu bewegen. Lassen Sie die Taste los, um die Beutelabgabe zu stoppen. Jeder lange Tastendruck liefert eine maximale Beutellänge von ca. 300 mm. Wenn Sie den Beutel weiter vergrößern möchten, lassen Sie die Taste los und drücken Sie erneut die Taste „MANUAL“.

4. Vorbereitung

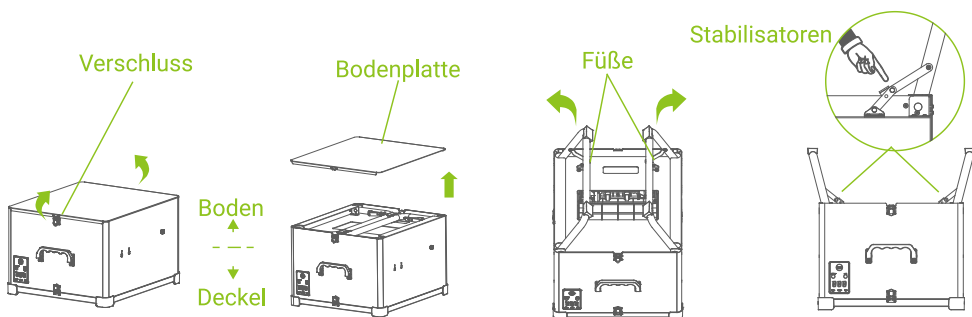
4.1 Überprüfung des Toilettenzustands

Prüfen Sie vor jeder Benutzung der Toilette, ob sie funktionstüchtig ist.

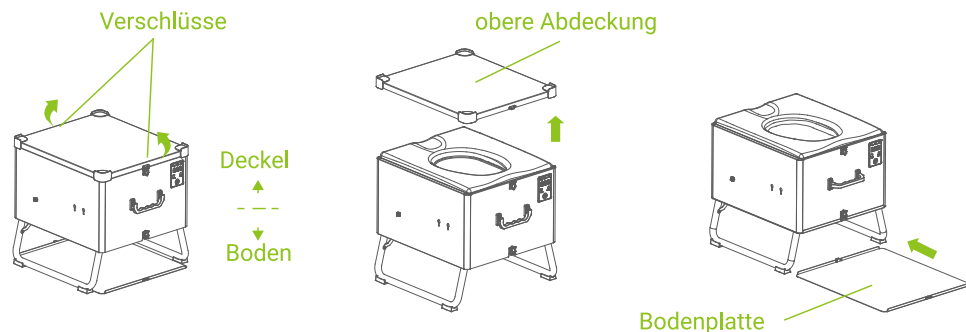
1. Die Toilette steht stabil auf beiden Beinen.
2. Alle Teile sind richtig positioniert wie unter Punkt 3 gezeigt.
3. Die Power-LED leuchtet bzw. die Toilette ist an eine Stromversorgung oder einen Akku angeschlossen.
4. (Optional bei Akkubetrieb) Die Akku-Ladeanzeige liegt über 25%. Zeigt das Display 25% oder weniger an, bitte so bald wie möglich aufladen.
5. Ein Liner ist korrekt eingelegt, fest verschweißt und nicht bereits am Ende seiner Kapazität. Das Ende der Kapazität wird durch den sichtbaren Textaufdruck „STOP“ auf dem Liner erkannt.
6. Sorgen Sie dafür, dass immer genügend Nachfüllfolien und LooSeal Super-Absorber in der Nähe der LooSeal TANK-Toilette vorhanden sind.

4.3 Liner einsetzen oder austauschen

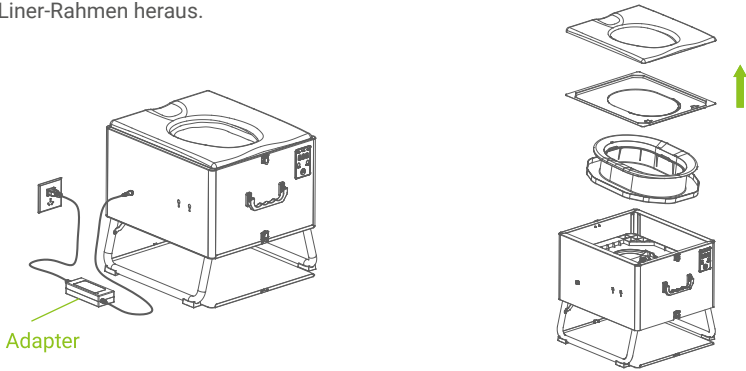
1. Öffnen Sie die Schlösser an der Bodenplatte, entfernen Sie die Bodenplatte, ziehen Sie zwei Füße heraus, drücken Sie die Gelenke der Stabilisatoren gerade, um die Stabilität des Fußes zu gewährleisten.



2. Drehen Sie das Gerät um, öffnen und verschieben Sie die obere Abdeckung, und legen Sie die Bodenplatte unter das Gerät.



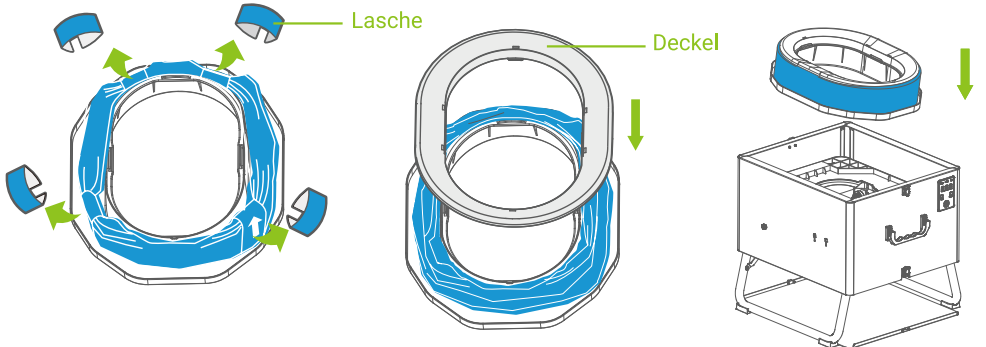
3. Stecken Sie das Gleichstromende des Netzteils in den Gleichstromanschluss an der Seite der Toilette und stecken Sie das Netzkabel in eine Steckdose. ALTERNATIVE: Stecken Sie das Gleichstromende des Akkus in den Gleichstromanschluss an der Seite der Toilette. Nehmen Sie den Toilettensitz, die Leitplatte und den Liner-Rahmen heraus.



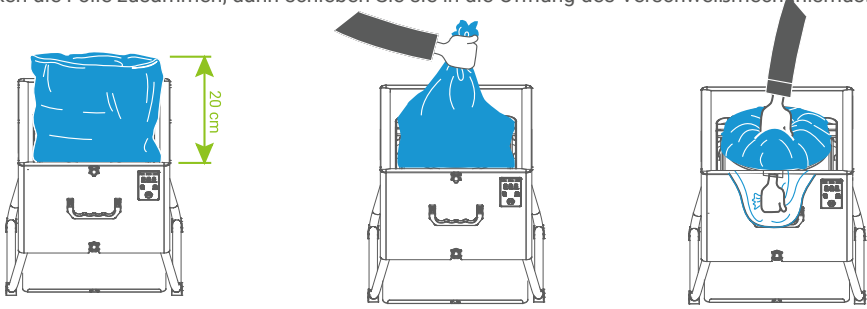
4. Öffnen Sie den Deckel des Liner-Rahmens und legen Sie den Liner um das Oval. Die Pfeile müssen dabei nach oben zeigen.



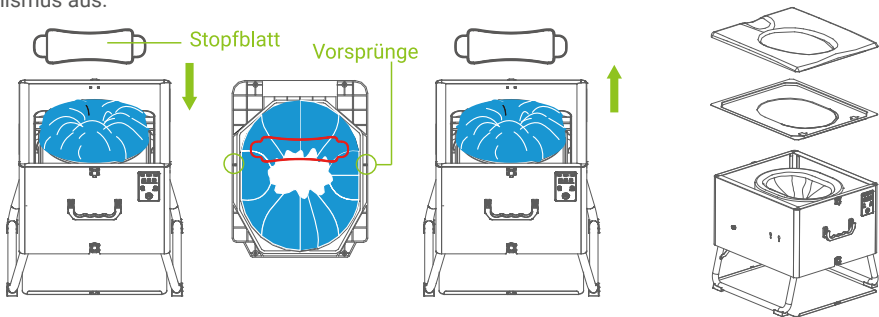
5. Legen Sie den Liner in den Liner-Rahmen ein und entfernen Sie die vier Laschen. Schließen Sie den Deckel des Folienträgers und vergewissern Sie sich, dass er fest verschlossen ist. Setzen Sie den Liner-Rahmen mit dem eingelegten Liner auf den Verschleißmechanismus.



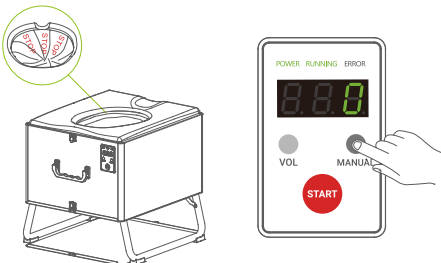
6. Greifen Sie nach der äußeren Kante des Liners und ziehen Sie sie etwa 20 cm ringsum nach oben, drücken die Folie zusammen, dann schieben Sie sie in die Öffnung des Verschweißmechanismus.



7. Drücken Sie die Folie mit dem Stopfblatt in die Räder des Mechanismus und entfernen Sie dann das Stopfblatt. Hinweis: Richten Sie die Vorsprünge auf beiden Seiten des Stopfblattes an denen des Mechanismus aus.



8. Halten Sie die „Start“-Taste auf dem Bedienfeld länger als 2 Sekunden gedrückt. Die Toilette startet dann den Verschweißprozess und läuft, bis auf dem Display 0 angezeigt wird, was bedeutet, dass der Verschweißvorgang abgeschlossen ist. Entfernen Sie den entsorgten Beutel. (Wird dieser Vorgang beim Einlegen eines neuen Liners nicht zu Beginn durchgeführt, wird die Unterseite der Folie nicht versiegelt).

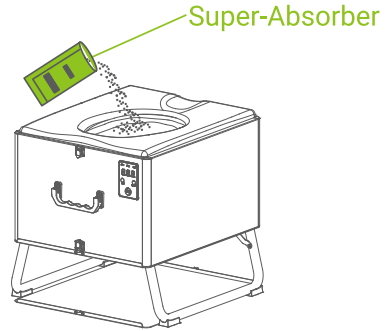


9. Wenn auf dem Liner einen „Stop“-Aufdruck sehen, verwenden Sie ihn bitte nicht weiter und ersetzen Sie den Linder. Halten Sie die Taste „Manal“ auf dem Bedienfeld gedrückt, bis der Film vollständig ausgeworfen wurde, und entfernen Sie dann den ausgegebenen Restliner vom Boden. Bitte befolgen Sie die Schritte 4 bis 8 für das Einlegen eines neuen Liners.

5. Bedienschritte nach dem Toilettengang

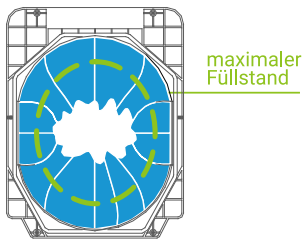
5.1 Super-Absorber benutzen

Geben Sie einen Beutel Super-Absorber in die Toilette, bevor Sie die Toilette benutzen. Wir empfehlen den Absorber zur Bindung von Flüssigkeiten. Das Pulver wandelt Flüssigkeiten im Folienbeutel in Gel um und dient somit als zusätzlicher Auslaufschutz sowie als Geruchsstop.



5.2 Füllstand beachten

Das Toilettenpapier darf nicht über die angegebene maximale Füllhöhe hinausgehen, da sonst die Schweißnaht unterbrochen wird. Die maximale Füllhöhe beträgt etwa die Hälfte des Folienbereichs. Wenn mehr Platz im Beutel benötigt wird oder der Beutel vergrößert werden soll, kann dies einfach durch Drücken und Halten der Taste „Manual“ erfolgen.



5.3 Verschweißprozess starten

Halten Sie die „Start“-Taste 2 Sekunden lang gedrückt. Sie hören einen Piepton, dann beginnt die Toilette mit dem Verschweißprozess. Die Zahlen im Anzeigefenster werden von 100 bis 00 heruntergezählt. Wenn die Zahl 00 erreicht ist, ertönt ein Signalton, und die Versiegelung ist abgeschlossen. Der versiegelte Beutel fällt auf den Boden. Nehmen Sie den Beutel unter der Toilette heraus und entsorgen Sie ihn wie eine Babywindel gemäß den örtlichen Vorschriften und Regeln (Restmüll).



6. Reinigung

Da die LooSeal TANK ohne Wasser funktioniert und sich die „Folienschale“ bei jeder Benutzung erneuert, ist der Reinigungsaufwand sehr gering. Wir empfehlen jedoch, Sitz, Deckel, Beine und die Oberfläche des Toilettenkörpers regelmäßig mit einem feuchten Tuch und handelsüblichen Reinigungsmitteln zu reinigen:

ACHTUNG! Bei unsachgemäßer Reinigung kann es zu Schäden an der Toilette kommen!

- 1) Schalten Sie die Toilette vor der Reinigung aus und trennen Sie das Ladekabel vom Stromnetz.
- 2) Reinigen Sie die Toilette NICHT mit fließendem Wasser oder durch Eintauchen in Wasser (z. B. mit einem Schlauch).
- 3) Verwenden Sie KEIN Bleichmittel. Verwenden Sie ein weiches, feuchtes Tuch mit einem neutralen Reinigungsmittel, um die Toilette zu reinigen.
- 4) Reinigen Sie KEINE Teile im Inneren der Toilette.

7. Wartung

Die Wartung darf nur von qualifiziertem, vom Fachhändler oder Hersteller autorisiertem Personal durchgeführt werden.

ACHTUNG! Toilettenkörper darf nicht geöffnet werden.

Das Öffnen des Grundkörpers kann zu irreversiblen Schäden an der LooSeal TANK führen. Dadurch erlischt die Gewährleistung.

8. Fehler Codes

Error	Ursache	Lösungsansätze
E21	An der Verschweißstelle befindet sich ein Fremdkörper.	Entfernen Sie den Fremdkörper. Anschließend drücken Sie die „START“-Taste um einen weiteren Verschweißprozess zu starten. Wenn das Problem weiterhin besteht, versuchen Sie, das Gerät aus- und wieder einzuschalten. Wenn der Fehler weiter besteht, wenden Sie sich bitte an Ihren Händler.
E31		
E32	Der Positionierungssensor meldet ein Problem.	Nehmen Sie die Toilette kurz vom Strom und schalten dann wieder an. Die Toilette führt einen Selbsttest durch und kehrt in ihre Ausgangsposition zurück, wodurch der Fehler behoben wird. Wenn der Fehler weiterhin besteht, wenden Sie sich bitte an Ihren Händler.
E33		
E51	Das Heizelement hat eine Fehlfunktion.	Trennen Sie die Toilette von der Stromversorgung und schließen Sie sie dann wieder an. Wenn der Fehler auch nach dem Selbsttest des Geräts weiterhin besteht, wenden Sie sich bitte an Ihren Händler.
E52	Es liegt eine Störung am Temperatursensor vor.	
E53		

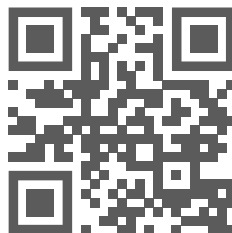
9. Fehlersuche

Störung	Mögliche Ursache	Lösungsansätze
Ausgeschaltet (Licht aus)	Der Netzadapter oder der Akku ist nicht angeschlossen.	Bitte schließen Sie den Netzadapter oder die Batterie richtig an.
	Der Netzadapter oder der Akku wird falsch verwendet.	Bitte verwenden Sie ausschließlich den mit der Toilette mitgelieferten Netzadapter bzw. Akku.
Toilette instabil	Der Boden ist uneben.	Bitte stellen Sie die Toilette auf einen ebenen Untergrund.
	Die Füße der Toilette sind nicht vollständig geöffnet.	Bitte klappen Sie die Beine der Toilette gemäß der Bedienungsanleitung vollständig aus.
Der Liner ist gerissen	Im Bereich der Verschweißung befindet sich ein (scharfer) Gegenstand.	Entfernen Sie den Fremdkörper aus dem Verschweißbereich, drücken Sie „Manual“ und werfen Sie den beschädigten Beutel zum Verschweißen einmal aus.
	Der Liner selbst hat ein Loch.	Bitte ersetzen Sie den Liner mit einem Neuen.
Der Liner hat sich von der Verschweißstelle nicht gelöst	Im Bereich der Verschweißung befindet sich vermutlich ein Fremdkörper.	Bitte drücken Sie die "Start"-Taste erneut für 2 Sekunden, um den Verschweißprozess nochmals zu starten.
Aus dem Inneren der Toilette kommen Rauch oder seltsame Geräusche.		Bitte stellen Sie den Betrieb sofort ein und ziehen Sie das Netzkabel oder den Akku ab. Bitte wenden Sie sich an Ihren Händler.
Zubehörteile fehlen oder Verbrauchsmaterial ist aufgebraucht		Bitte wenden Sie sich an Ihren Händler, um nachzubestellen.

10. Verbrauchsmaterial und Zubehör

Verwenden Sie nur Originalprodukte für die LooSeal TANK Toilette. Original-Verbrauchsmaterialien und -Zubehör können schnell und einfach im ToMTuR-Onlineshop erworben werden:

<https://tomtur.de>



11. Häufig gestellte Fragen (FAQ)

Alle FAQ & Informationen finden Sie auf <https://tomtur.de>

Können die Beutel auf den Kompost (Biomüll) gegeben werden?

Obwohl die Liner kompostierbar sind, sollten die Beutel dennoch über den Restmüll entsorgt werden. Bitte beachten Sie die regionalen Gesetze, die z.B. auch für Windeln gelten.

Sind die Beutel geruchsdicht?

Bei Zimmertemperatur sind die Beutel je nach äußeren Bedingungen und Inhalt zwischen wenigen Stunden und bis zu 5 Tagen geruchsdicht. Bei höheren Temperaturen empfiehlt es sich, die Beutel innerhalb von 2 Tagen zu entsorgen. Wir empfehlen, die Beutel generell so bald wie möglich zu entsorgen. Die Geruchsdichtigkeit hat keinen Einfluss auf die mehrwöchige Flüssigkeitsdichtigkeit.

Darf ich die Toilette sofort nach dem Start des Verschweißvorgangs wieder benutzen?

Nein, der vorherige Verschweißprozess muss vollständig abgeschlossen sein. Ansonsten kann es zu Fehlfunktionen oder Beschädigungen kommen.

Kann ich auch andere Dinge in den Beuteln verschließen?

Ja, prinzipiell können Bioabfälle, Windeln oder Damenhygieneprodukte eingeschweißt werden. Es dürfen jedoch keine scharfkantigen Gegenstände (Glasscherben, etc.) oder heiße Asche in die Beutel gegeben werden. Bitte beachten Sie die maximale Füllhöhe!

Funktioniert die Toilette mit einer Spannung von 12 Volt?

Die Toilette hat einen 12V-Gleichstromeingang, und wird von einem 12V-Netzteil mit 5A (60W) - oder alternativ per Akku - betrieben. Prinzipiell ist es möglich, die Toilette dauerhaft an eine vorhandene 12V-Versorgung anzuschließen. Bitte beachten Sie die maximale Leistungsaufnahme von 60W!

Wie stabil ist die Toilette?

Die Tragfähigkeit der Toilette mit geöffnetem Deckel beträgt 200 kg.

Entsorgung und Umwelt

Das LooSeal TANK entspricht den Anforderungen der EU-Richtlinie „Beschränkung gefährlicher Stoffe“ (2011/65/EU). Es ist weitgehend frei von umweltgefährdenden Stoffen wie Blei, Cadmium, Quecksilber oder Chrom VI.








Gemäß der EU-Richtlinie ist das Gerät als Elektro- und Elektronik-Altgerät eingestuft und darf nicht über den Hausmüll entsorgt werden.



- Entsorgen Sie das Produkt in Übereinstimmung mit den regionalen Vorschriften.
- Entsorgen Sie verbrauchte Batterien an den dafür vorgesehenen Sammelstellen.




12. Technische Daten


Merkmal	Wert
Modell	VT-LS-002-G
Farbe	Grau
Maße (Betriebsbereit)	50x47x45 cm (TxBxH)
Maße (Zusammengefaltet)	50x40x30 cm (TxBxH)
Empfohlene Raumbreite	47 cm
Sitzhöhe	44 cm
Gewicht	12 kg
Max. Belastbarkeit	200 kg
Material	Aluminiumlegierung, Edelstahl, ABS, PP, POM
Akku	Lithium-ion 55,5 Wh (extern)
Akku Ladezeit	ca. 3,5 h per USB mit 5V / 3A
Akku Reichweite	ca. 100 Benutzungen (1-2 Wochen bei 2 Personen in Dauernutzung)
Stromanschluss	Input 100-240V AC, Output 12V DC / 5A
Leistung	60 W (max)
Stromverbrauch (pro Benutzung)	0,4 Wh
Stromverbrauch (Standby)	0,3 Wh
Betriebsbedingungen	0°C - 40°C, 20% - 80% rF
Lagerbedingungen	-20°C - 60°C, 20% - 80% rF
Wasserfest	Nein
Griffe	Ja
Toilettendeckel	abnehmbar
Zyklus für einen Verschweißprozess	ca. 140 Sek.
Empfohlenes Substrat	LooSeal Super-Absorber
Befestigung	Freistehend
Entsorgung der Beutel	Restmüll


	WARNING  WARNUNG 	
	Risk of injury! Do not reach into the toilet while it is in automatic operation.	Verletzungsgefahr! Während die Toilette in automatischem Betrieb ist, nicht in die Toilette fassen.

	CAUTION  VORSICHT 	
	Risk of falling due to weight overload. Please observe the maximum weight limit.	Sturzgefahr durch Gewichtüberlastung. Bitte beachten Sie das Maximalgewicht.

	CAUTION  VORSICHT 	
	Crushing hazard for fingers Be cautious when lowering and closing the toilet seat.	Quetschgefahr für Finger Beim Aufsetzen & Schließen des Toilettendeckels vorsichtig vorgehen.

	CAUTION  VORSICHT 	
	Risk of electric shock The device is energized even without power supply, through battery.	Gefahr des Stromschlags Gerät steht auch ohne Netzbetrieb durch einen Akku unter Spannung.

	NOTICE HINWEIS	
	The toilet should not be used as a stepping stool, ladder, ladder replacement, or staircase.	Die Toilette darf nicht als Trittstufe, Leiter, Leiterersatz oder Treppe verwendet werden.




	NOTICE HINWEIS	
	Young children should not use the toilet unattended.	Kleinkinder sollten die Toilette nicht unbeaufsichtigt nutzen.

For all, who love freedom



ToMTuR
Experts for Autarkic Toilets



-  **NO WATER**
-  **NO CHEM.**
-  **NO SMELLS**



LooSeal

Manufacturer and responsible person
according to (EU) 2023/988:

ToMTuR GmbH
Untere Hauptstr. 19
84381 Johanniskirchen
Germany

Tel. +49 8564 979 969 0
Mail: info@tomtur.de
Web: <https://tomtur.de>